



5A 1-3 ENDEAVOUR RD  
CARRINGBAH, NSW, 2229

P: +61 2 8536 4700  
F: +61 2 8536 4799

NAME: \_\_\_\_\_

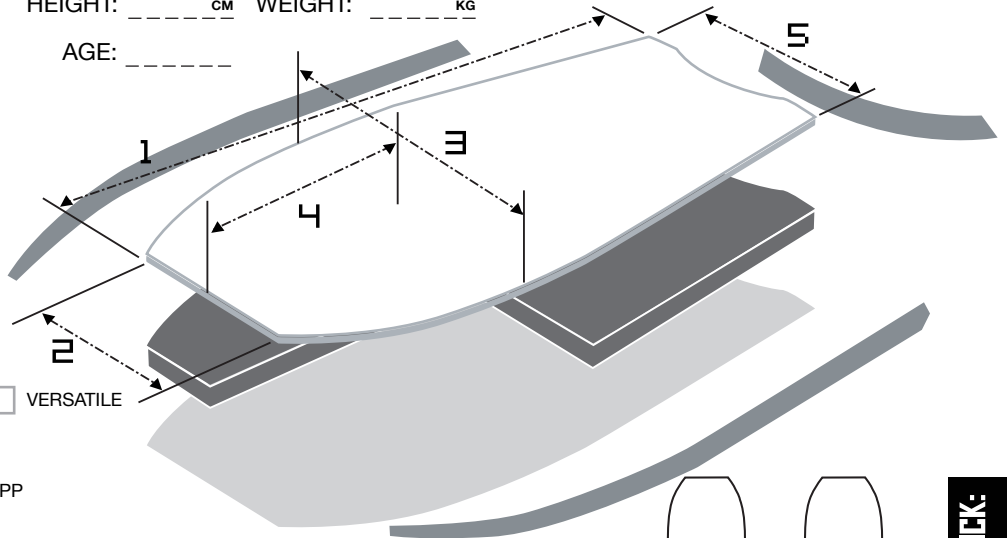
ADDRESS: \_\_\_\_\_ STATE:

PHONE: \_\_\_\_\_

EMAIL: \_\_\_\_\_

HEIGHT: \_\_\_\_\_ CM WEIGHT: \_\_\_\_\_ KG

AGE: \_\_\_\_\_



**SIZING:**

LENGTH: \_\_\_\_\_ 1  
NOSE: \_\_\_\_\_ 2  
WIDTH: \_\_\_\_\_ 3  
NOSE TO WIDE POINT: \_\_\_\_\_ 4  
TAIL: \_\_\_\_\_ 5  
CM / INCHES (Indicate one)

**DETAILS:**

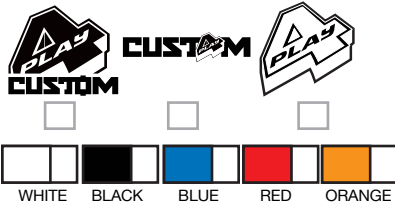
TEMPLATE:  PRONE  DROPKNEE  VERSATILE  
RAILS:  60/40  50/50  
CORE:  DOW 200 PE  X-CORE PP  
SLICK:  SURLYN  HDPE

**COLOURS:**

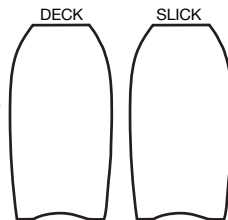
CHOOSE YOUR 3 FAVORITE COLOURS AND NUMBER THEM 1-3 IN ORDER OF PREFERENCE  
COLOURS ARE SUBJECT TO AVAILABILITY.

DECK:  WHITE  BLACK  BLUE  ROYAL  SKY  YELLOW  RED  ORANGE  
RAIL:  WHITE  BLACK  BLUE  ROYAL  SKY  YELLOW  RED  
PIN:  WHITE  BLACK  BLUE  YELLOW  RED  
SLICK:  WHITE  BLACK  BLUE  ORANGE  SILVER

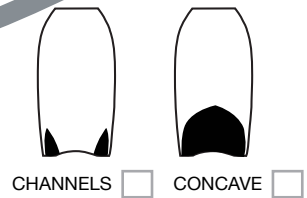
**STAMPS:**



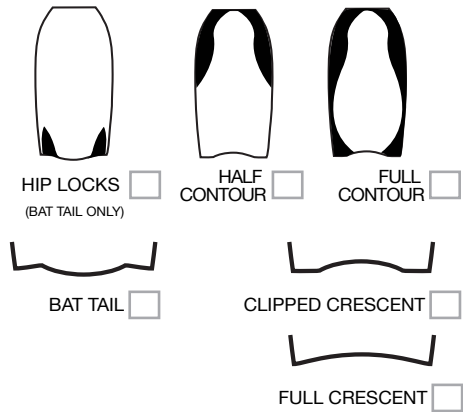
CHOOSE YOUR FAVORITE STAMP AND COLOUR AND INDICATE PLACEMENT



**SLICK:**



**DECK / TAILS:**



**PRICING:**

BASIC PE BOARD \$300  
BASIC PP BOARD \$350  
HALF CONTOUR \$35  
FULL CONTOUR \$35  
FINGER CONTROL PADS \$10  
HIP LOCKS \$30  
CHANNELS \$30  
CONCAVE \$40  
IMESH \$25  
STRINGER \$25  
2 STRINGERS \$50  
3 STRINGER SYS \$60  
FTC STRINGER \$30

BASIC BOARD \$ \_\_\_\_\_  
FEATURES \$ \_\_\_\_\_  
FREIGHT \$ \_\_\_\_\_  
TOTAL \$ \_\_\_\_\_  
DEPOSIT \$ \_\_\_\_\_

**PAYMENT:**

DEPOSIT:  BALANCE:   
CARD NUMBER:   
VISA:  MASTERCARD:  EXPIRY:   
CARDHOLDERS NAME: \_\_\_\_\_  
SIGNATURE: \_\_\_\_\_

**OFFICE USE ONLY**

DATE RECEIVED: \_\_\_\_\_  
DATE COMPLETED: \_\_\_\_\_  
BOARD NUMBER: \_\_\_\_\_  
CUSTOMER NUMBER: \_\_\_\_\_

**ADDITIONAL COMMENTS:**

\_\_\_\_\_  
\_\_\_\_\_  
\_\_\_\_\_  
\_\_\_\_\_  
\_\_\_\_\_